

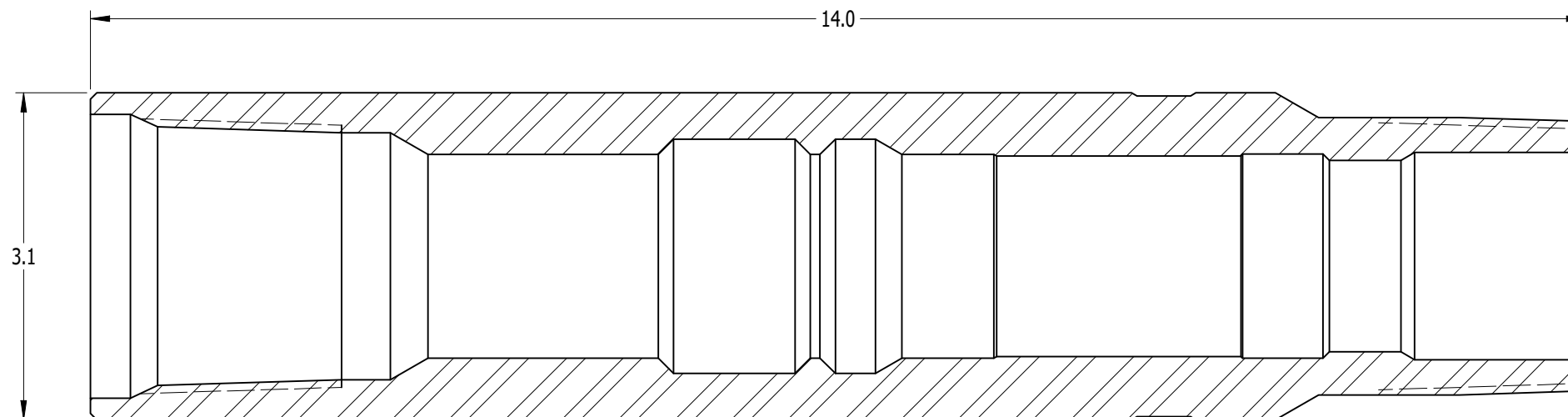
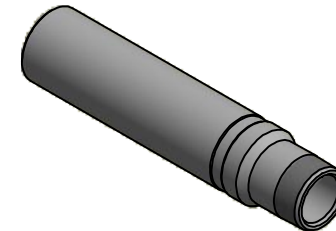
**Purpose:**

\* The Brace Tool - Halliburton style XN Profile Nipple is a non-selective type nipple that is placed at the bottom of the tubing string. The BT XN is a non-selective type profile nipple which means it cannot be ran in conjunction with other XN nipples of the same size, as the plugging equipment cannot pass through the no-go or restriction in the bottom of the nipple.

\* The BT XN Profile Nipple typically comes with EUE box x pin thread connections, but is not limited to this, special or premium connections are available upon request as well as a wide range of materials for adverse well conditions.

**Precautions:**

\* A tubing brush can be ran prior to landing an XN lock to ensure there is no debris in the profile.



SECTION A-A

**TOLERANCES**

- .X = +/- 0.030
- .XX = +/- 0.015
- .XXX = +/- 0.005
- ∠ = +/- 0.5 DEG
- © = .005 TIR



TEL (780) 438 - 0441 1-800-438-0061

MATERIAL <b>AS REQUIRED</b>	
SCALE NTS	SHEET 1 of 1
DWN B.L.D.	DATE 10/4/2010

TITLE 1.875 'XN' SEATING NIPPLE 2-3/8" EUE PIN x BOX	
DWG # 14-02-CXN-187-30	REV 1