

PURPOSE:

~To change the path of the wire from a horizontal position to a vertical position en route to the stuffing box from the wireline unit.

Operations:

- Once the weight indicator cell is attached to the well head, the hook is snapped into an eye loop on the weight indicator cell, the wire is then placed around the sheave wheel, the guard closed and locked.
- With the use of a drop strap the hay pulley is supported by connecting to a guide extension fastened to the lubricator, a sheave stand may also be used if available. This keeps the hay pulley assembly from falling to the side and damaging the line.

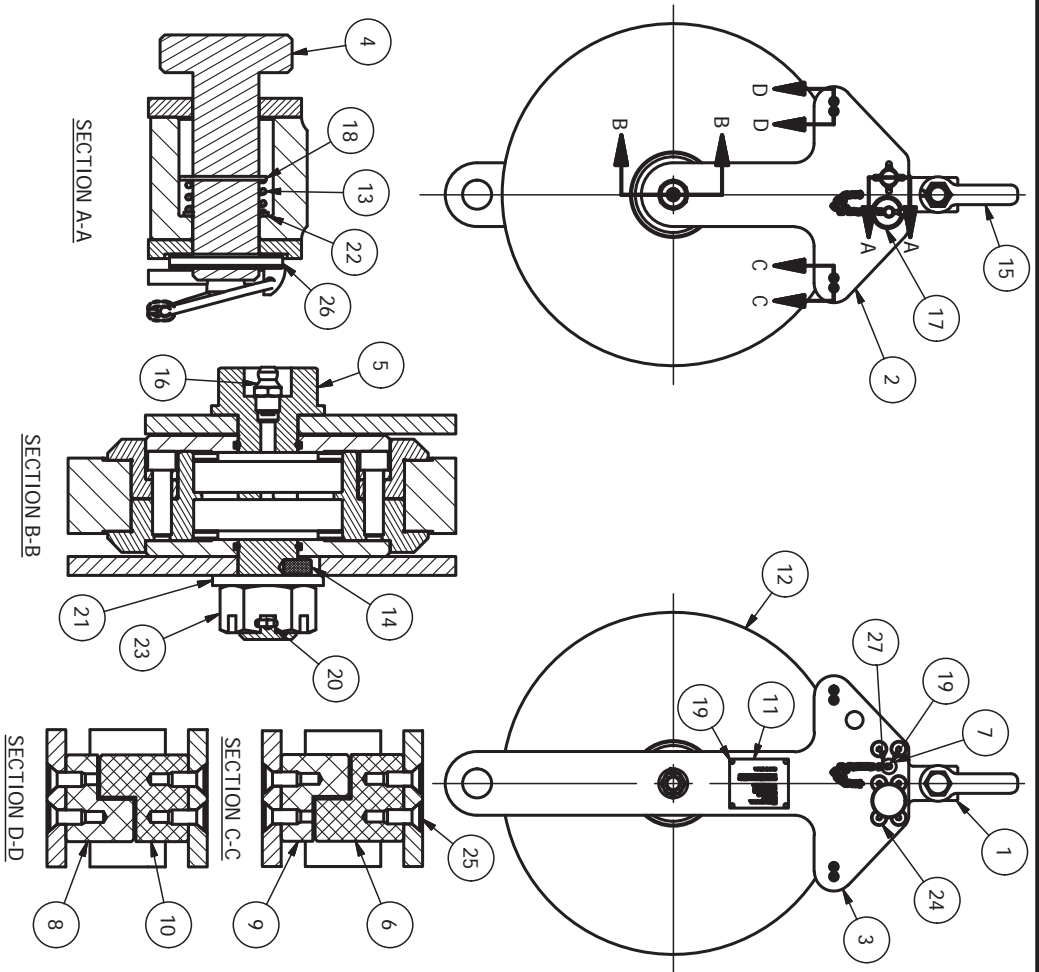
Precautions:

- **Do not** hang, use rags or let loose clothing near sheave while line is being transferred in or out of the wellbore.

Recommended Practices:

BRACE TOOL RECOMMENDS THAT THE HAY PULLEY BE VISUALY INSPECTED AFTER EVERY USAGE, WITH ATTENTION TO LOOSE SCREWS, DAMAGE TO THE WHEEL OR BEARING SYSTEM, OR GENERAL DAMAGE TO THE GUARDS.

AN IN DEPTH INSPECTION AND PULL TEST IS RECOMMENDED ANUALLY TO ENSURE INTEGRITY OF THE HAY PULLEY.



ITEM	QTY	DESCRIPTION	PART NUMBER	MATERIAL
1	1	TOP BLOCK	13-01-THP-016-01	6061-T6 ALUMINIUM
2	1	FRONT PLATE	13-01-THP-016-02	6061-T6 ALUMINIUM
3	1	BACK PLATE	13-01-THP-016-03	6061-T6 ALUMINIUM
4	1	HANDWHEEL	13-01-THP-016-04	17-4 H1150
5	1	SPINDLE	13-01-THP-016-05	17-4 H1150
6	1	BACK GUIDE LEFT	13-01-THP-016-06	NVLATRON
7	1	SAFETY PIN	13-01-THP-016-07	17-4 H1150
8	1	FRONT GUIDE RIGHT	13-01-THP-016-08	NVLATRON
9	1	FRONT GUIDE LEFT	13-01-THP-016-09	NVLATRON
10	1	BACK GUIDE RIGHT	13-01-THP-016-10	NVLATRON
11	1	LABLE	13-01-HP-016-17	AS REQUIRED
12	1	WHEEL ASSEMBLY	13-01-S-016-S0	AS PER DRAWING
13	1	DOG SPRING	03-02-CS-150-07	INCONEL X-750 TEMP
14	1	ALIGNMENT PIN	12-01-NB-237-10	316L STAINLESS STEEL
15	1	SHACKLE	1021047	STEEL, CROSBY
16	1	GREASE NIPPLE	SPAENAUER # GF-711	AS REQUIRED
17	1	LYNCH PIN	SPAENAUER #233-256	AS REQUIRED
18	1	RETAINING RING	SC087	AS REQUIRED
19	5	TYPE 'U' DRIVE SCREW	SPAENAUER #376-809	AS REQUIRED
20	1	COTTER PIN	PO2-18.134	AS REQUIRED
21	1	WASHER	.750 - NARROW - TYPE A	18-8 STAINLESS STEEL
22	1	WASHER	1.12 O.D. x .88 I.D. x .05 L.G.	6061-T6 ALUMINIUM
23	1	CASTLE NUT	3/4"-.16 UNF-.2B	AS REQUIRED
24	6	FLAT HEAD CAP SCREW	3/8"-.16 UNC x 1.0 LG	STEEL, GALVANIZED
25	8	FLAT HEAD CAP SCREW	10-24 UNC x .50 LG	STEEL, GALVANIZED
26	1	SPRING PIN	3/16" x 1 1/2" L.G.	316L STAINLESS STEEL
27	1	CHAIN	6" LONG	AS REQUIRED

REV		DATE	DESCRIPTION	BY	ECR	TOLERANCES X = +/- 0.030 XX = +/- 0.015 XXX = +/- 0.005 < = +/- 0.5 DEG ◎ = .005 TIR		TEL (780) 438-0441 1-800-498-0061		SCALE L.M.B.	DATE 10/3/2018	SHEET 1 of 1	TITLE 16" T HAY PULLEY
B	25 APR 16	09 FEB 16	UPDATED DESIGN AND LAYOUT	L.M.B.						L.M.B.			
A	09 FEB 16		PROTOTYPE	L.M.B.						C.B.			

THIS DOCUMENT IS THE SOLE PROPERTY OF BRACE TOOL INC. IT CONTAINS CONFIDENTIAL AND PROPRIETARY INFORMATION. IT IS DISTRIBUTED WITHOUT THE UNDERSTANDING THAT IT WILL NOT BE REPRODUCED OR USED FOR ANY PURPOSE EXCEPT THE CONFINED FUNCTION FOR WHICH IT IS DISTRIBUTED. UPON DEMAND, THIS DOCUMENT SHALL BE RETURNED TO BRACE TOOL INC.