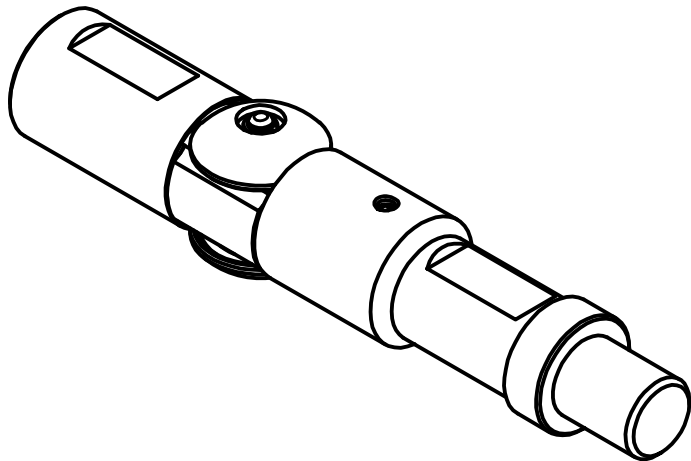


Purpose:

- The K-Roller is a modular conveyance device used to significantly reduce friction when deploying tool strings into highly deviated wellbores.
- Suitable for perforating, open hole logging or cased hole operations.
- Can also be used to provide a low-friction orientation when using perforating guns.

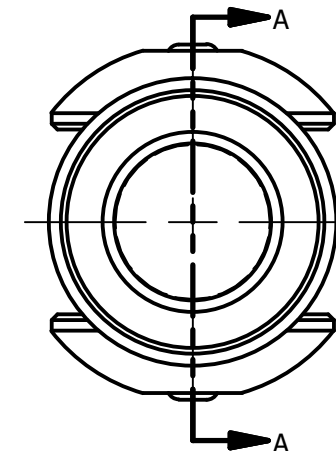
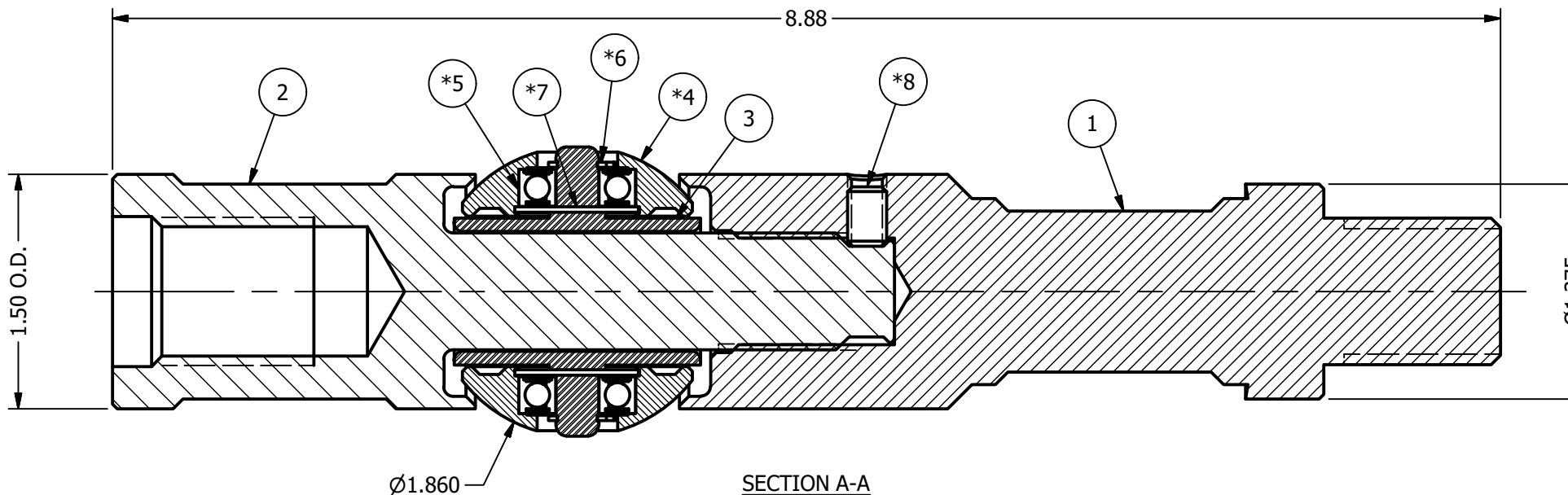
Operation:

- The K-Roller is installed at the bottom end of the tool string.
- It is used to reach extended depths and higher deviations.
- The reduced pickup weight means a reduced wire load.
- The roller mechanism rotates independently of the host tool string which allows for it to be easily redressed.
- Use for high-shock jarring or perforating.



ITEM	QTY	DESCRIPTION	PART NUMBER	MATERIAL
1	1	TOP SUB	01-01-KW-150-01	AISI 4140 - L80
2	1	BOTTOM SUB	01-01-KW-150-02	AISI 4140 - L80
3	1	ROLLER HOUSING	01-01-KW-150-03	17-4 H1150 STAINLESS STEEL
*4	2	ROLLER	01-01-KW-150-04	17-4 H1150 STAINLESS STEEL
*5	2	BEARING	607-2RS	STAINLESS STEEL
*6	2	RETAINING RING	DSH-007-H	STAINLESS STEEL (PH15-7)
*7	2	INTERNAL RETAINING RING	HO-0075-H	STAINLESS STEEL (PH15-7)
*8	2	SET SCREW	.250-20 UNC x .38 LG	STAINLESS STEEL

*INDICATES PARTS IN REDRESS KIT PART No. 01-01-KW-150-R0



WEIGHT = 3.42 lb

THIS DOCUMENT IS THE SOLE PROPERTY OF BRACE TOOL INC. IT CONTAINS CONFIDENTIAL AND PROPRIETARY INFORMATION; IT IS DISTRIBUTED WITH THE UNDERSTANDING THAT IT WILL NOT BE REPRODUCED OR USED FOR ANY PURPOSE EXCEPT THE CONFINED FUNCTION OF WHICH IT IS DISTRIBUTED. UPON DEMAND, THIS DOCUMENT SHALL BE RETURNED TO BRACE TOOL INC.

REV	DATE	DESCRIPTION	BY	ECR
2	05 JUN 18	UPDATED BOM, WAS SH-0027 SNAP RING	L.M.B.	00463
1	10 MAY 18	UPDATED BOM MATERIALS	L.M.B.	00453

TOLERANCES
 .X = +/- 0.030
 .XX = +/- 0.015
 .XXX = +/- 0.005
 < = +/- 0.5 DEG
 © = .005 TIR



TEL (780) 438 - 0441 1.800.438.0061

MATERIAL	AS REQ	TITLE
SCALE	NTS	SHEET 1 of 1
DWN	DATE	2/2/2018
L.M.B.	DATE	6/5/2018
CHK	C.B.	

TITLE	DWG #	REV
1.50" K-ROLLER ASSEMBLY	01-01-KW-150-A0	2