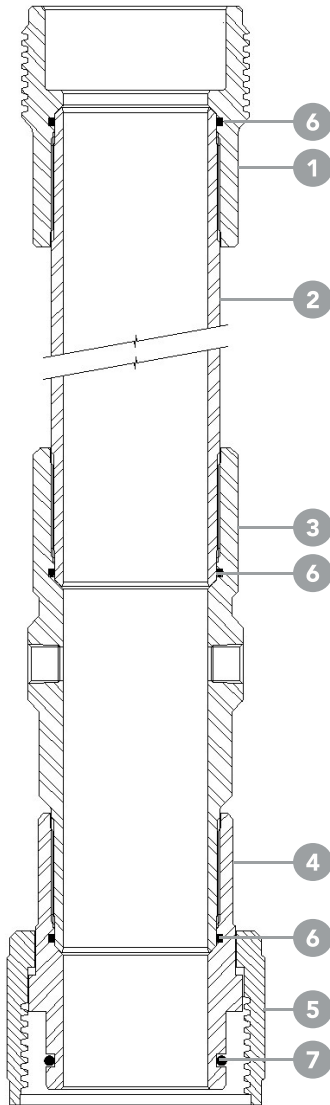


13. pressure control equipment



PURPOSE

To accommodate downhole wireline toolstrings while rigging up, and during wireline operations, as well as when entering the wellbore and returning to surface.

ASSEMBLY PARTS

1. Hand Union Female
2. Lubricator Tube
3. Ported Sub
4. Hand Union Male
5. Nut
6. O-Ring
7. O-Ring

DESCRIPTION

The lubricator is made up of sections of tubing material threaded on both ends to accept hand unions. Once they are made up with hand unions they are known as lubricator joints, and come in 8 or 10 foot lengths.

Standard lubricator sizes on slickline service units are 2.875 and 3.50 inches OD (outside diameter). Lubricator sizes are also available up to 7" OD.

Sour service or NACE spec. lubricator joints are machined from Sour service stock material, where the upper and lower hand unions are machined as part of the lubricator joint or maybe made with sealed premium thread connections.

An optional bleed sub may be incorporated into the lubricator assembly. This involves a ported .50" NPT sub between the lubricator tube and the bottom hand union.-

More information available upon request.

Nominal Size		3.5"
Assembly Number		1301L300A0
Item	Part Name	
1	Hand Union Female	1306HUF30001
2	Lubricator Tube	1301LT30010
3	Ported Sub	1301LB30001
4	Hand Union Male	1306HUM30001
5	Nut	1306HUN30001
6	O-Ring	237
7	O-Ring	340
Upper Thread Connection		4.75" - 4 ACME
Lower Thread Connection		4.75" - 4 ACME

* Non-Stock Item. Please call for price and delivery.

When ordering please specify part name and size. Call us Toll Free: 1-800-438-0061